

ROB

13-Mar.-2019

1.6 HV

LED 13W | 220-240VAC | 50-60Hz | AC PCB 3-step low flicker | phase cut dim

CE \oplus IP44 \downarrow 0,3m P M D A A

white texture 701184W_

LIGHT COLOUR

2700K | >90CRI | 860lm 3

3000K | >90CRI | 950lm 5

2.6 HV

LED 18W | 220-240VAC | 50-60Hz | AC PCB 3-step low flicker | phase cut dim

CE \oplus IP44 \downarrow 0,3m P M D A A

white texture 701284W_

LIGHT COLOUR

2700K | >90CRI | 1250lm 3

3000K | >90CRI | 1380lm 5

3.5 HV

LED 32W | 220-240VAC | 50-60Hz | AC PCB 3-step low flicker | phase cut dim

CE \oplus IP44 \downarrow 0,3m P M D A A

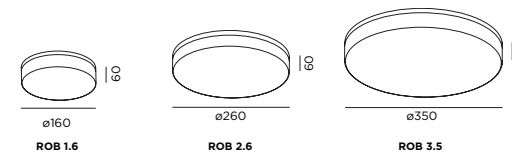
white texture 701384W_

LIGHT COLOUR

2700K | >90CRI | 1820lm 3

3000K | >90CRI | 1950lm 5

DIMENSIONS

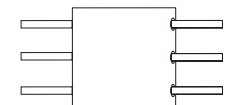


MOUNTING INSTRUCTION

- 1 Remove the base plate from the ROB and mount it on the ceiling with screws. Also disconnect the fall protection.


POWER CONNECTION

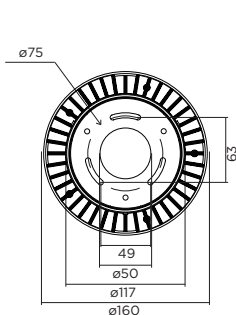
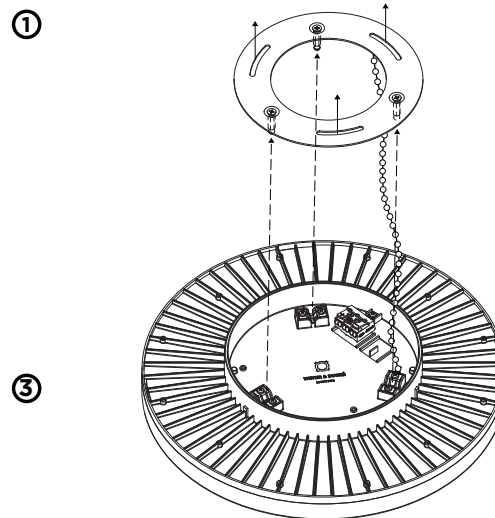
- 2 Interior connection: STANDARD version



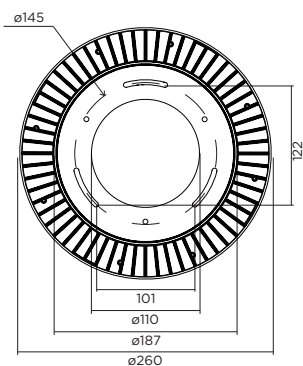
- 3 Connect the fall protection back to the base plate. Then attach the ROB to the base plate by clicking the 3 foreseen pins into the holes

The light source of this luminaire is not replaceable;
When the light source reaches its end of life the whole luminaire shall be replaced.

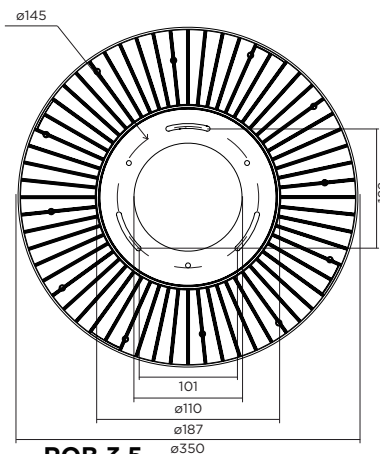
 Caution,
risk of electric shock



ROB 1.6



ROB 2.6



ROB 3.5