

TRAIN (indoor)

15-Apr.-2020

1.0

LED 6W | 220-240VAC | 50-60Hz | COB 3-step | phase cut dim

CE IP20 0.3m 36°

3000K | >90CRI | 420lm

aluminium brushed
white texture

306668L5
306668W5

2700K | >90CRI | 390lm

gold
white texture
black texture

306668G3
306668W3
306668B3

2.0

LED 2x4W | 220-240VAC | 50-60Hz | COB 3-step | phase cut dim

CE IP20 0.3m 36°

3000K | >90CRI | 2x280lm

aluminium brushed
white texture

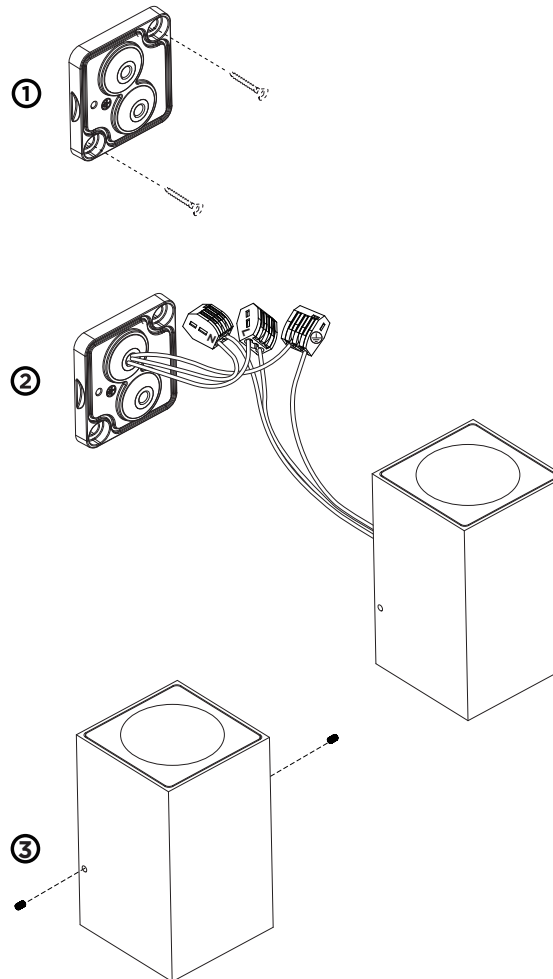
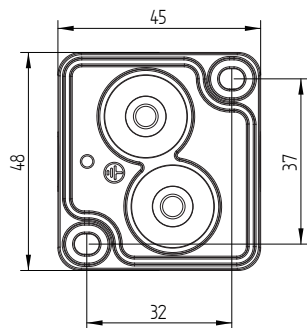
306768L5
306768W5

2700K | >90CRI | 2x260lm

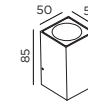
gold
white texture
black texture

306768G3
306768W3
306768B3

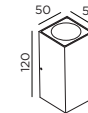
wall base dimensions



DIMENSIONS



TRAIN 1.0



TRAIN 2.0

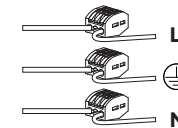
MOUNTING INSTRUCTION

- 1 Attach the wall base on the wall with screws (screws are not included).

2 POWER CONNECTION

Connect to 220-240V.

Interior: STANDARD version



- 3 Attach the TRAIN on the wall base with the side screws.

TRAIN (outdoor)

15-Apr.-2020

1.0

LED 6W | 220-240VAC | 50-60Hz | COB 3-step | phase cut dim

CE IP65 0.3m 38°

3000K | >90CRI | 420lm

dark grey texture
white texture
black texture

719868D5
719868W5
719868B5

2.0

LED 2x4W | 220-240VAC | 50-60Hz | COB 3-step | phase cut dim

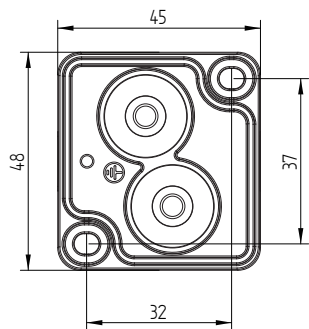
CE IP65 0.3m 38°

3000K | >90CRI | 2x280lm

dark grey texture
white texture
black texture

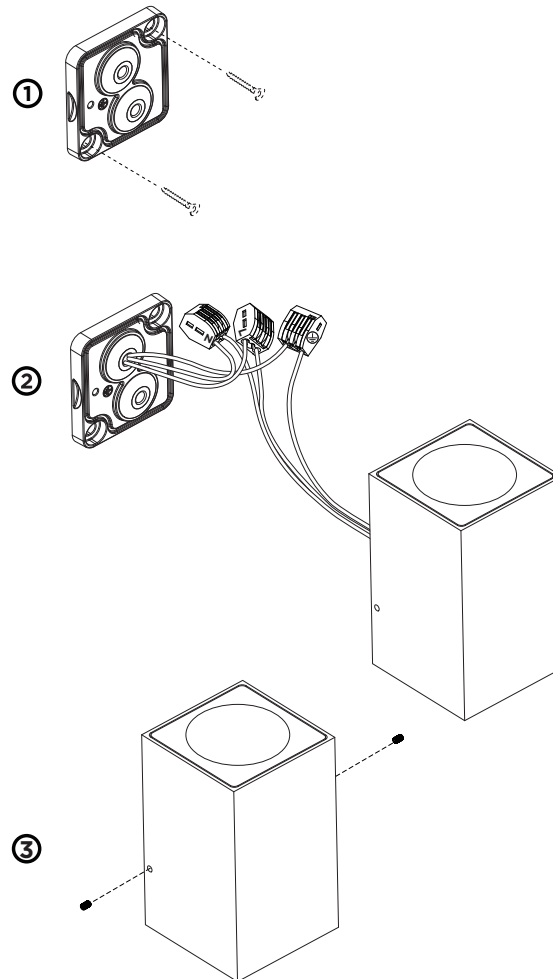
719968D5
719968W5
719968B5

wall base dimensions

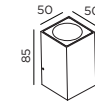


necessary for IP-rating

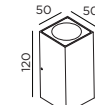
	A	B	C
CABLE			
TYPE	ROUND H05RN-F H07RN8-F H07RN-F	ROUND H05RN-F	ROUND
OUTSIDE Ø	min 6.8mm max 8.9mm	min 5mm max 6.8mm	min 1.5mm max 2.6mm
CONDUCTION SECTION	2or3x 0.75mm ² 2or3x 1.0mm ² 2or3x 1.5mm ²	2or3x 0.75mm ² 2x 1.0mm ²	0.75mm ² 1.5mm ²



DIMENSIONS



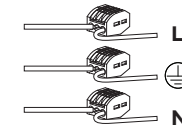
TRAIN 1.0



TRAIN 2.0

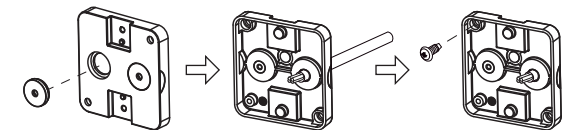
MOUNTING INSTRUCTION

- ① Attach the wall base on the wall with screws (screws are not included).
- ② **POWER CONNECTION**
Connect to 220-240V.



Exterior: WATERPROOF Connection

Please use a matching grommet based on the used 220-240V cable and the corresponding type in the overview table.



- ③ Attach the TRAIN on the wall base with the side screws.



WEVER & DUCRÉ
LIGHTING

www.weverducre.com

Wever & Ducré bvba Spinnerijstraat 99/21 8500 Kortrijk

INSTALLATION
INSTRUCTIONS

PAGE 2/2