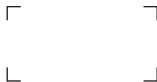


**PHILIPS**

hue personal  
wireless  
lighting

17462/\*\*/P7



HUE serial number



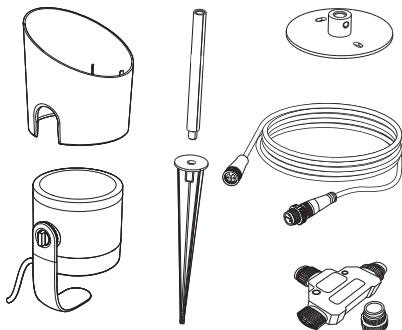
Gebruiksaanwijzing  
Notice d'emploi  
Benutzerhandbuch  
User manual  
Manual de usuario

Incl.

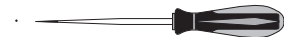
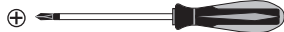
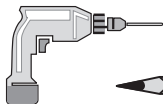
**A**



**B**



Excl.

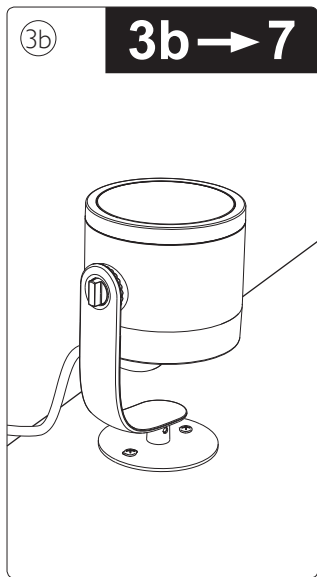
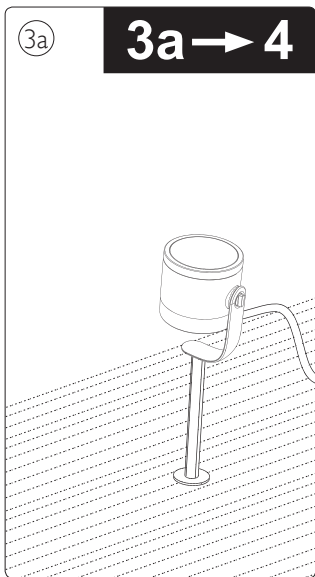
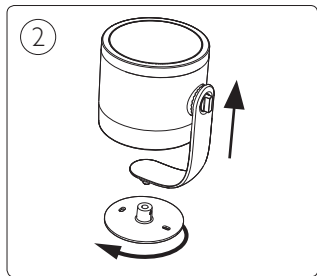
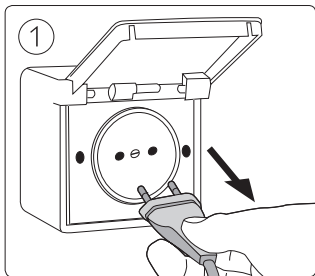


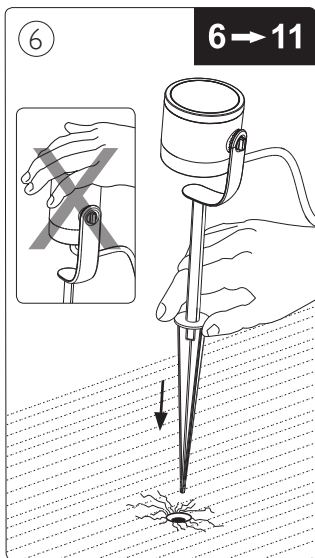
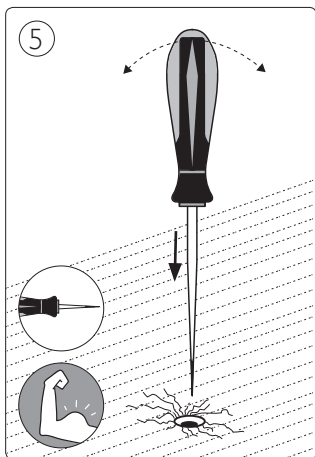
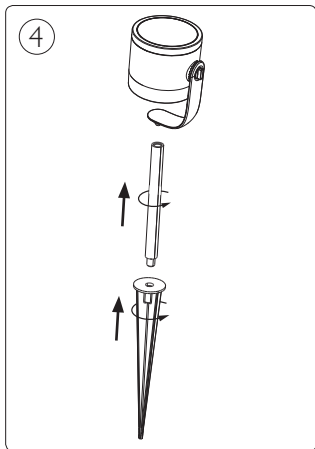
IP 65

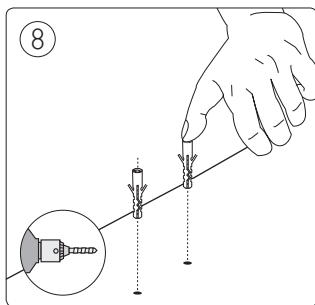
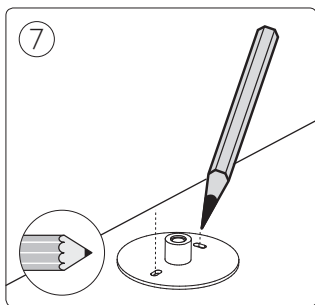


[www.meethue.com/getstarted](http://www.meethue.com/getstarted)

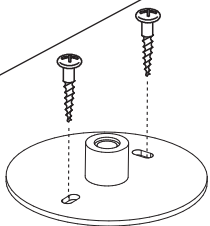
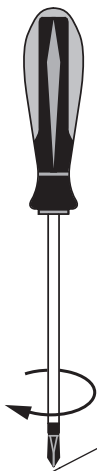




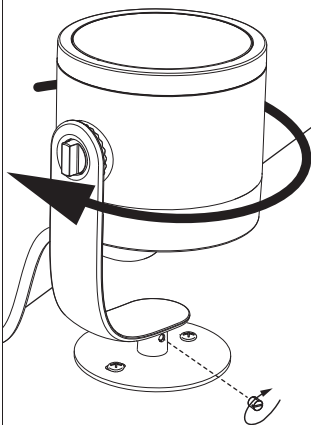


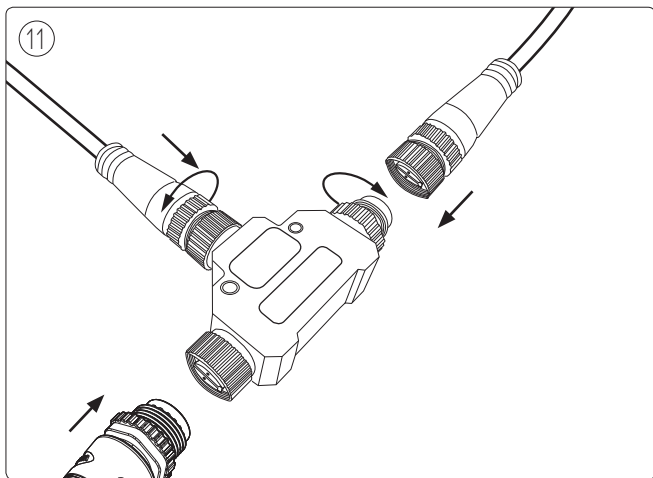
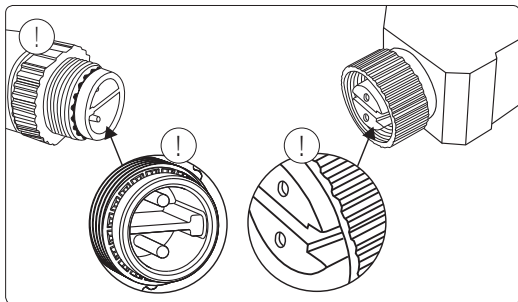


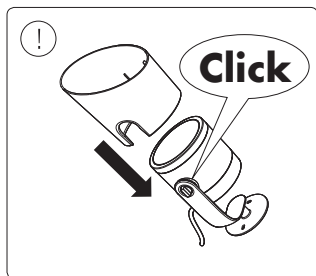
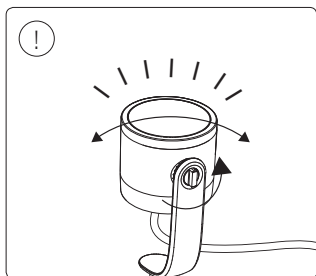
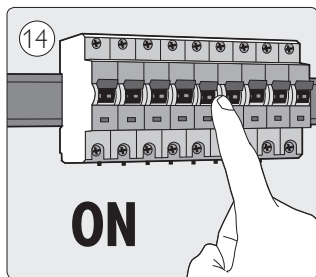
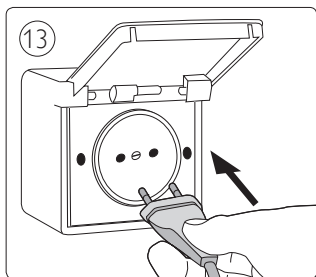
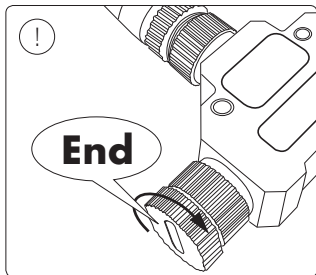
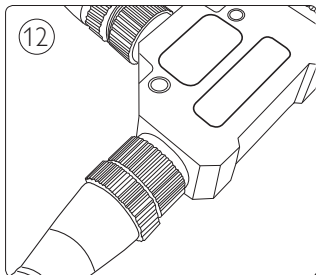
9



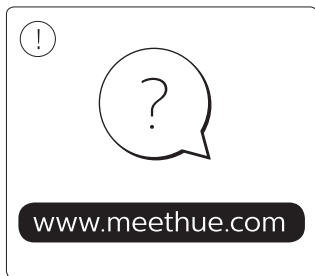
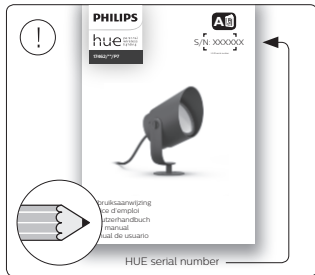
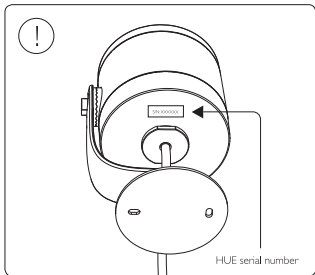
10







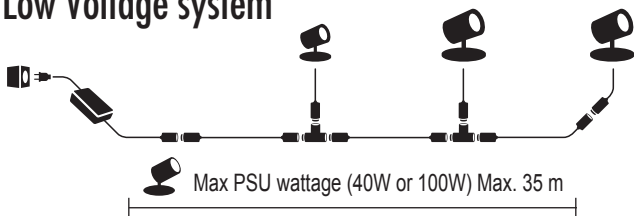






- EN** Use only with Philips Hue 24V  $\equiv$  SELV IP67 LED power supply!
- DE** Verwendung nur mit Philips Hue 24V  $\equiv$  SELV IP67 LED-Stromversorgung!
- FR** Utiliser uniquement avec l'alimentation LED Philips Hue 24V  $\equiv$  SELV IP67!
- ES** Se utiliza solo con la fuente de alimentación LED Philips Hue SELV 24V  $\equiv$  IP67!
- PT** Utilize apenas com fonte de alimentação LED SELV Philips Hue de 24V  $\equiv$  IP67!
- IT** Da utilizzare solo con un alimentatore LED Philips Hue 24V  $\equiv$  IP67!

## Low Voltage system







Signify  
I.B.R.S. / C.C.R.I. Numéro 10461  
5600 VB Eindhoven,  
the Netherlands  
☎ 00800-74454775

Signify Australia Limited  
65 Epping Road, North Ryde,  
NSW, 2113 Australia  
Toll Free number: 1300 304 404

Signify New Zealand Limited  
123 Carlton Gore Road  
Newmarket, Auckland 1023  
New Zealand  
Tel: 0800 454 448

[www.meethue.com](http://www.meethue.com)

© 2019 Signify Holding  
All rights reserved.

4404 029 11971  
Last update: 12/09/19