

TUBE

07-Nov.-2018

1.0 LED

LED 8W | 220-240VAC | 50-60Hz | COB 3-step | incl. PS | phase-cut dim

CE IP65 0.9m 38°

3000K | >90CRI | 480lm

white texture
dark grey texture
black texture

711164W5
711164D5
711164B5

1.0 PAR16

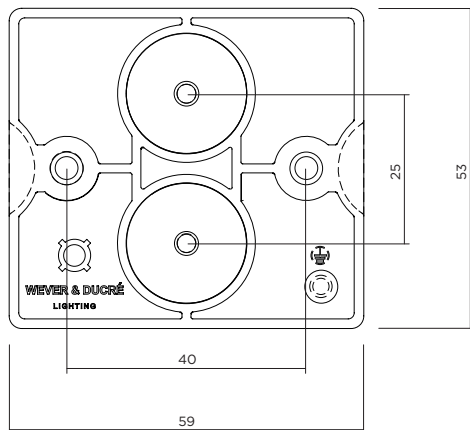
PAR16 max. 35W | GU10 | 100-240VAC | 50-60Hz

CE IP65 0.9m

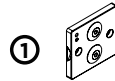
white texture
dark grey texture
black texture

711120W0
711120D0
711120B0

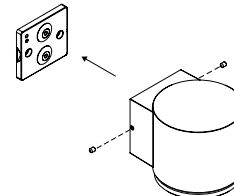
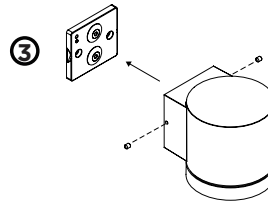
OPTIONAL
for PAR16 lamps see our catalogue



1.0 LED



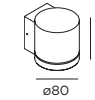
1.0 PAR16



necessary for IP-rating

	A	B	C
use pin to make hole, not a knife			
CABLE			
TYPE	ROUND H05RN-F H07RN8-F H07RN-F	ROUND H05RN-F	ROUND
OUTSIDE Ø	min 6.8mm max 8.9mm	min 5mm max 6.8mm	min 1.5mm max 2.6mm
CONDUCTION SECTION	2or3x 0.75mm ² 2or3x 1.0mm ² 2or3x 1.5mm ²	2or3x 0.75mm ² 2x 1.0mm ²	0.75mm ² 1.5mm ²

DIMENSIONS



1.0 LED



1.0 PAR16

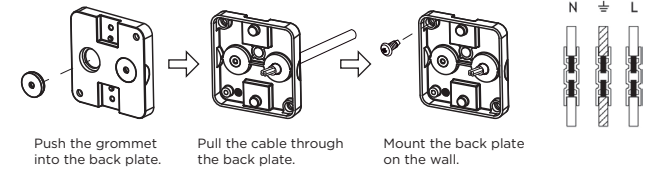
MOUNTING INSTRUCTION

- Remove the backplate and fixate it to the wall with screws.

2 POWER CONNECTION

Exterior: WATERPROOF Connection

IP-rated connections for wall fixtures: cable isolation for round cables \varnothing 4.5-7.5 mm, should be in the grommet. For cable use \varnothing 7.0-9.5 mm: replace the grommet with the other grommet in the bag. Refer to overview table.



- Fixate the fixture base to the back plate with side screws

- For PAR16:
Remove the glass cover by turning it.
Insert the lamp.
Turn the glass cover back on the fixture.