



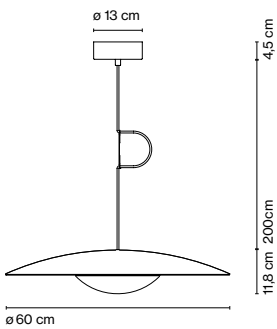
Ginger

Joan Gaspar

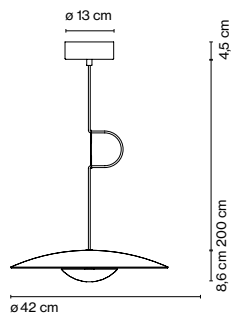
marset



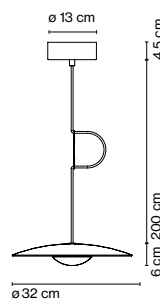
Ginger 60



Ginger 42



Ginger 32



Wood is a great ally of cozy lighting. It is a material that is hard to mold, a challenge that the Ginger collection neatly resolves. The combination of sheets of wood and paper pressed together under high pressure achieves a laminate that appears almost entirely flat.

Ginger 60 / RSC
 LED SMD 28,5W 700mA
 2700K CRI90
 Luminaire 1165lm
 Lamp source 3023lm
 (included)

Ginger 42 / RSC
 LED SMD 21,7W 700mA
 2700K CRI90
 Luminaire 698lm
 Lamp source 2130lm
 (included)

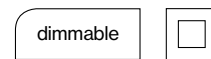
Ginger 32 / RSC
 LED SMD 11,5W 700mA
 2700K CRI90
 Luminaire 350lm
 Lamp source 1066lm
 (included)

- Oak
- Wenge

Black electrical cord

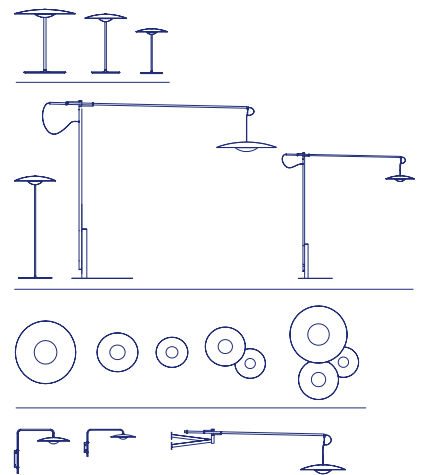
Recessed canopy available

Pressed wood diffuser of 4 mm in natural oak or wenge. Injected and lacquered black metal matte aluminium dissipater.



- [Download](#) Assembly Instructions
- [Download](#) Photometric Data
- [Download](#) 2D
- [Download](#) 3D
- [Download](#) Energy label

Range

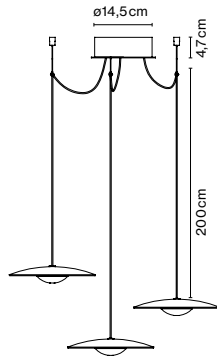




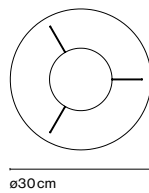
Ginger 20



Ginger 20x3



**Ginger 20x3:
Canopy accessory**



Ginger 20

LED SMD 6W 350mA
2700K CRI90
Luminaire 139lm
Lamp source 546lm
(included)

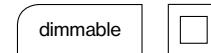
Ginger 20x3

3x LED SMD 6W 350mA
2700K CRI90
Luminaire 3x139lm
Lamp source 3x546lm
(included)

- Oak - Oak
- Wenge - Wenge
- Oak - White
- Wenge - White

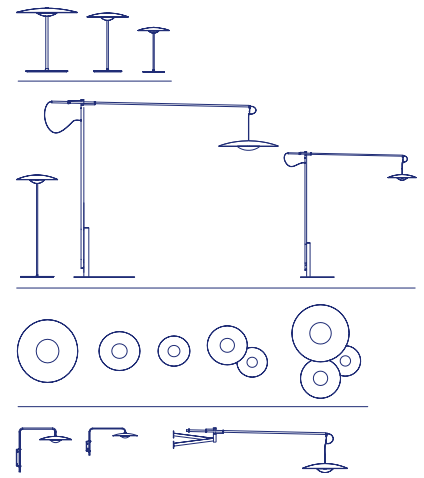
Black electrical cord

Pressed wood diffuser of 4 mm in natural oak or wenge. Injected and lacquered black metal matte aluminium dissipater.



- [Download](#) Assembly Instructions
- [Download](#) Photometric Data
- [Download](#) 2D
- [Download](#) 3D
- [Download](#) Energy label

Range



Watch the video

info@marset.com
www.marset.com

Wood is a great ally of cozy lighting. It is a material that is hard to mold, a challenge that the Ginger collection neatly resolves. The combination of sheets of wood and paper pressed together under high pressure achieves a laminate that appears almost entirely flat.

How Ginger illuminates

